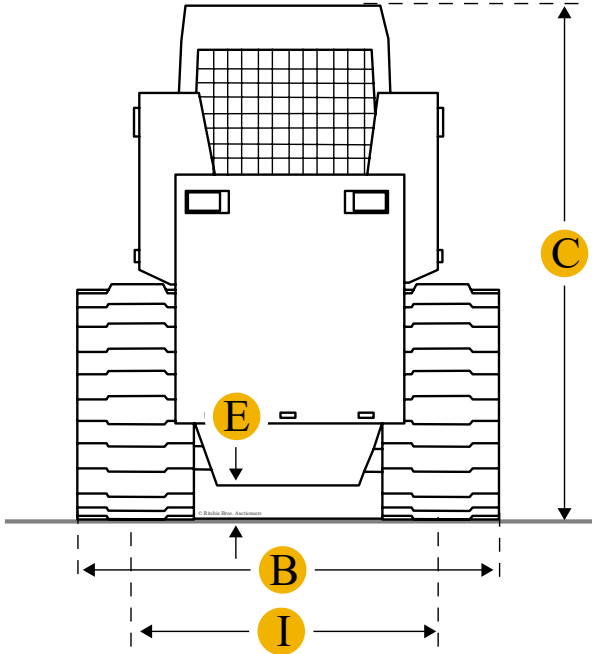
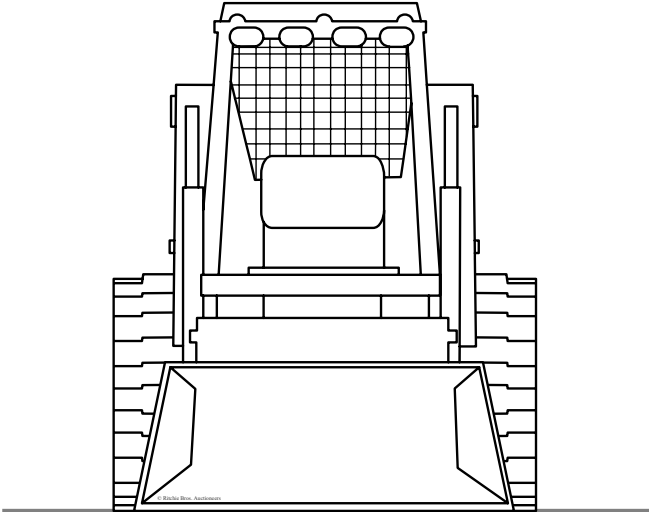
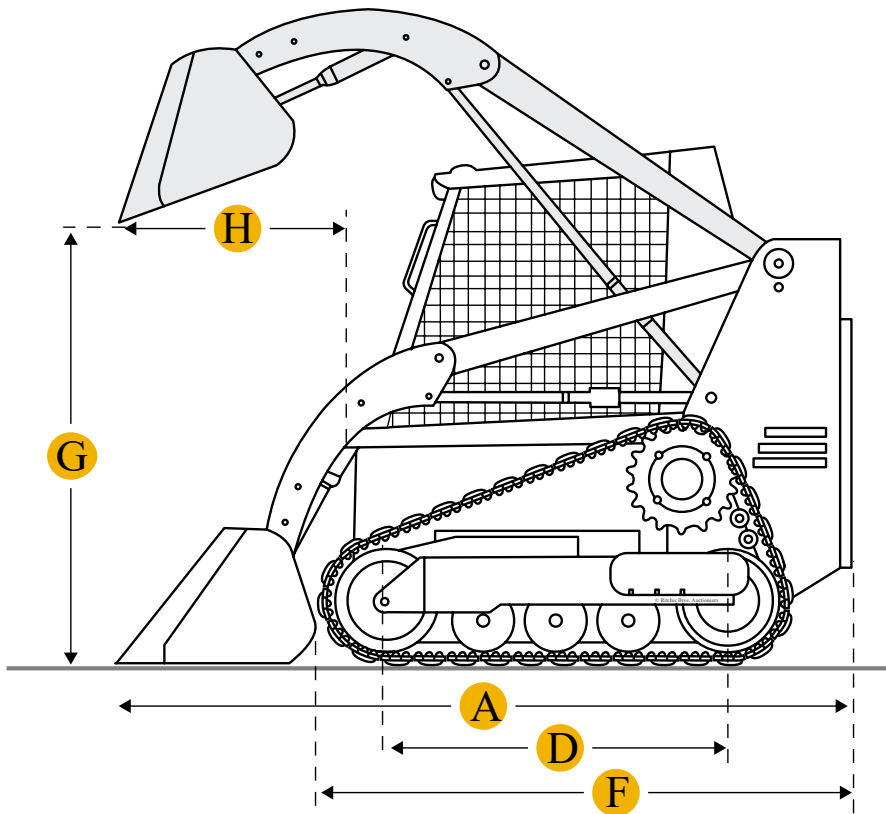


New Holland C175 Multi Terrain Loader





Units

Imperial

Metric

Dimensions

Dimensions

B Width Over Tracks

5.94 ft in

C Height To Top Of Cab

6.3 ft in

E Ground Clearance

7.88 in

G Clearance At Max Lift And Dump

12.14 ft in

H Reach At Max Lift And Dump

2.56 ft in

Length With Bucket

10.8 ft in

Turning Radius From Center - Inc Bucket

78.15 in

Undercarriage

D Length Of Track On Ground

4.73 ft in

I Track Gauge

4.89 ft in

Number Of Track Rollers Per Side

3

Width Of Track

12.6 in

Ground Pressure

5.3 psi

Specifications

Engine

Number Of Cylinders

4

Engine Make

2249

Engine Model

N844LT

Gross Power

60 hp

Net Power

56 hp

Power Measured @

2900 rpm

Peak Torque

128 lb ft

Torque Measured @

1700 rpm

Displacement

135 cu in

Aspiration

Turbocharged

Operational

Operating Weight

7535 lb

Cooling System Fluid Capacity

4.5 gal

Fuel Capacity

14.4 gal

Engine Oil Capacity

2.1 gal

Hydraulic System Fluid Capacity

8.6 gal

Operating Voltage

12 V

Alternator Supplied Amperage

55 amps

Max Speed - Low Range

5.6 mph

Max Speed - High Range

7.4 mph

Loader

Breakout Force

4312 lb

Operating Load

2200 lb

Tipping Angle

6300 degrees

Bucket Capacity

0.7 yd³

Hydraulic

Pump Type

Gear Type

Pump Flow

17.2 gal/min

Relief Valve Pressure

2600 psi